



2D-GEO

LANDSLIDE PROTECTION SYSTEM

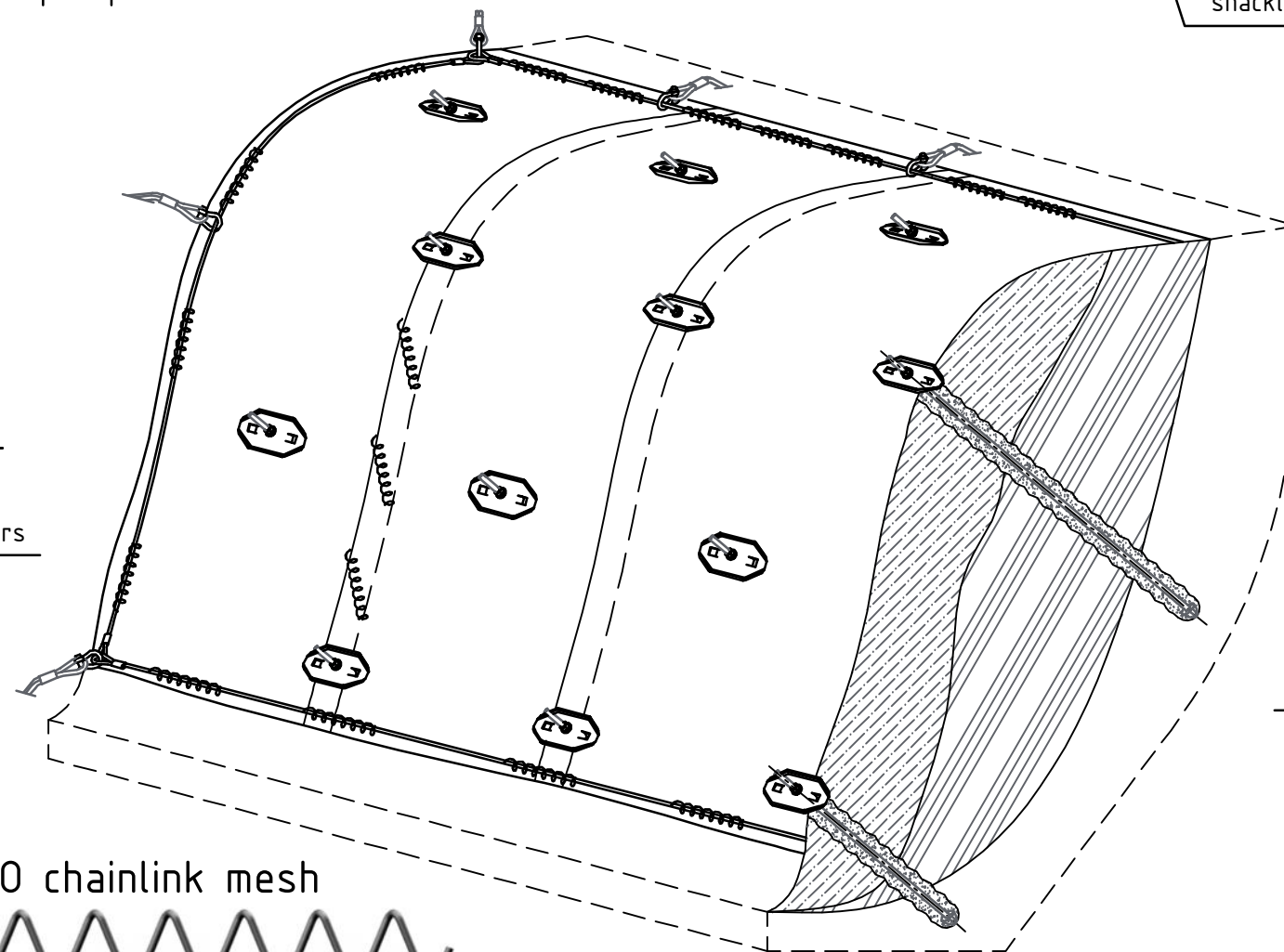
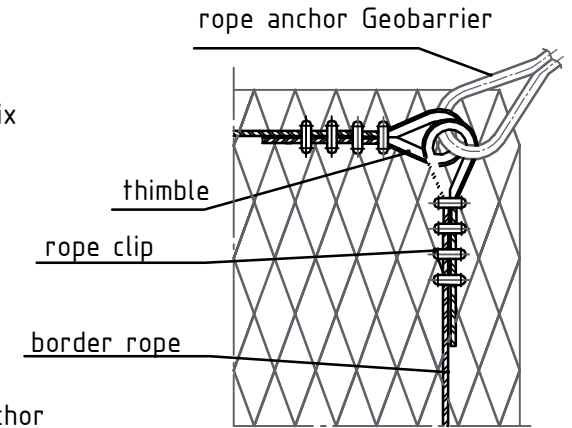
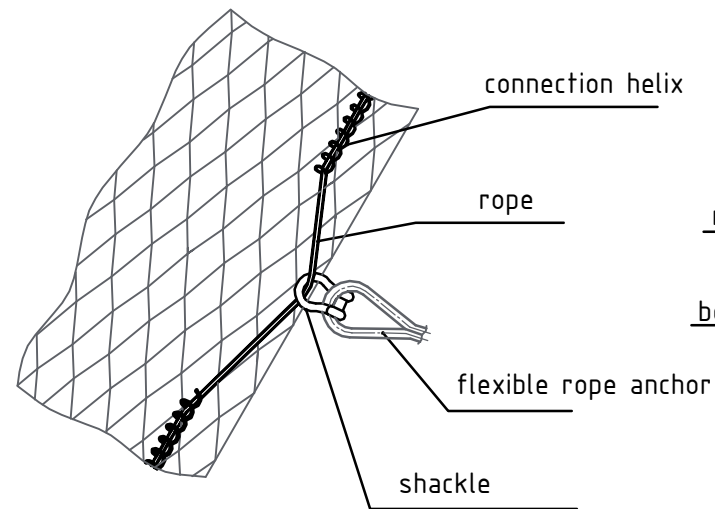
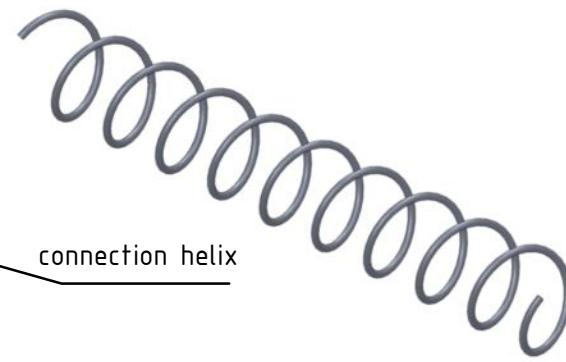
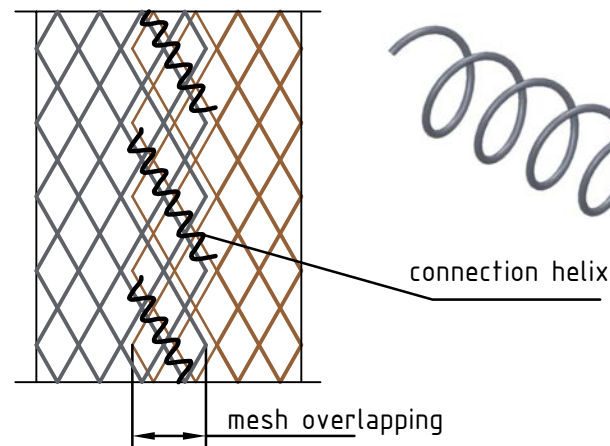
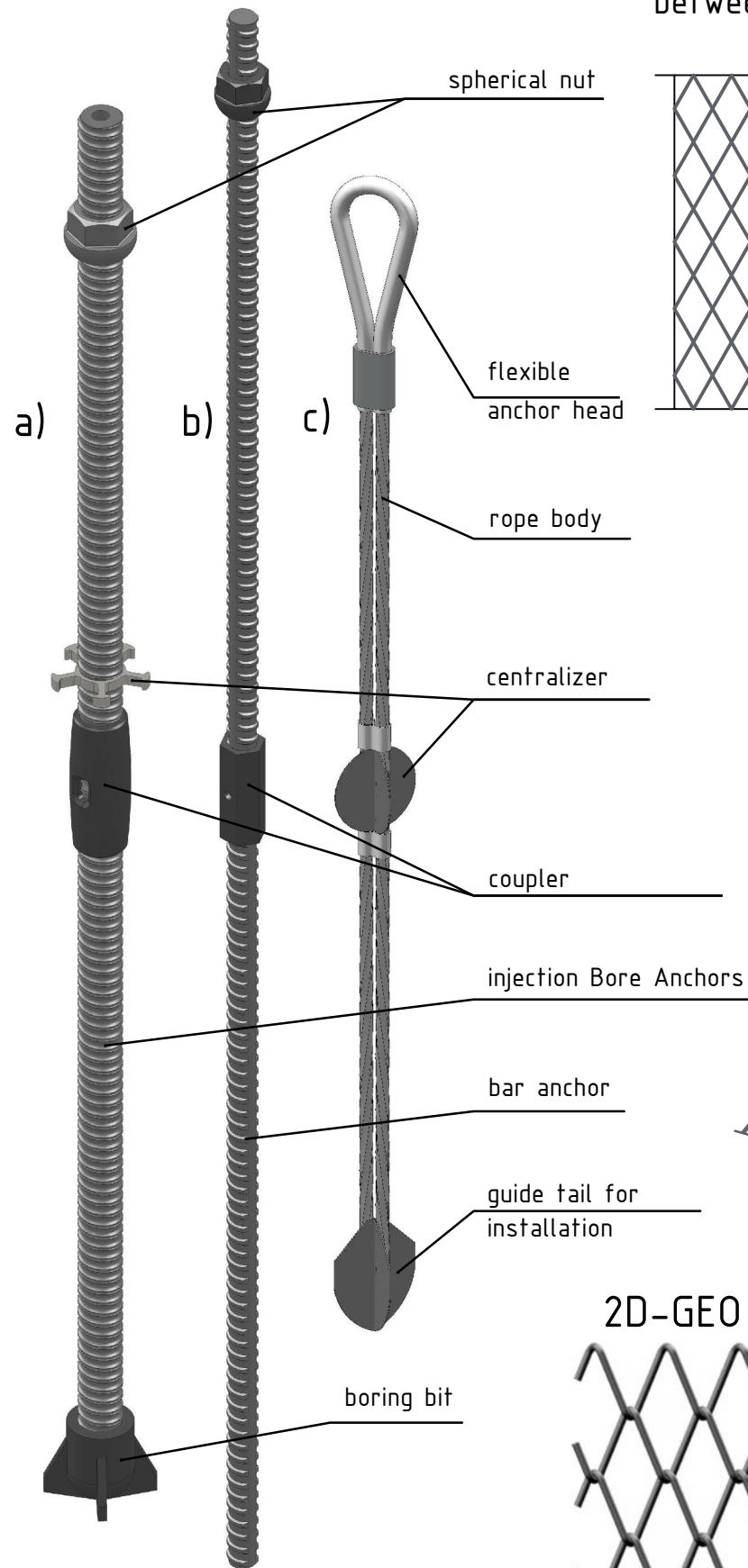
- Russian quality
- customized solution
- optimal ratio of strength and flexibility
- for rock and disperse grounds
- friendly prices

Ground anchors

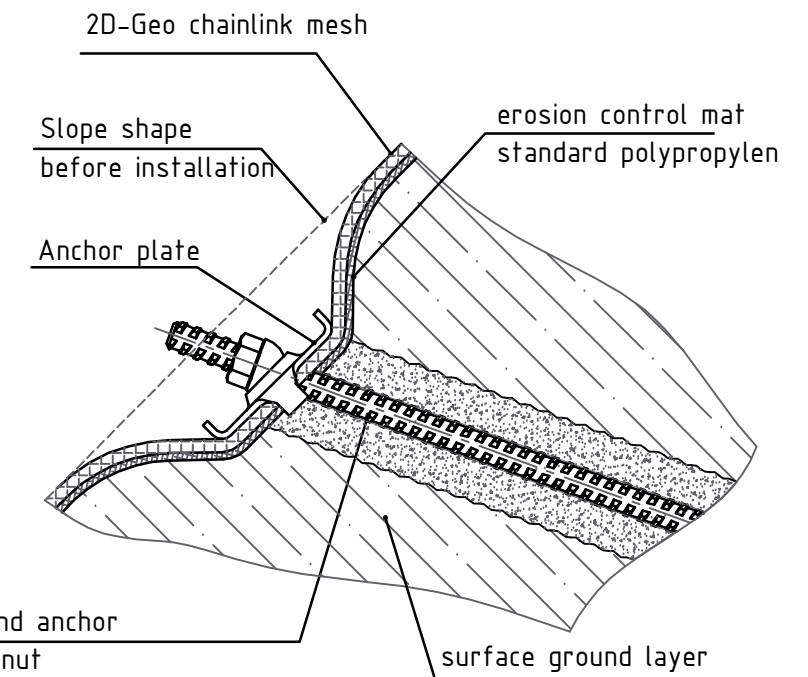
Connection of two rolls
between each other

Fixation of border of 2D-Geo system at
flexible rope anchor with rope

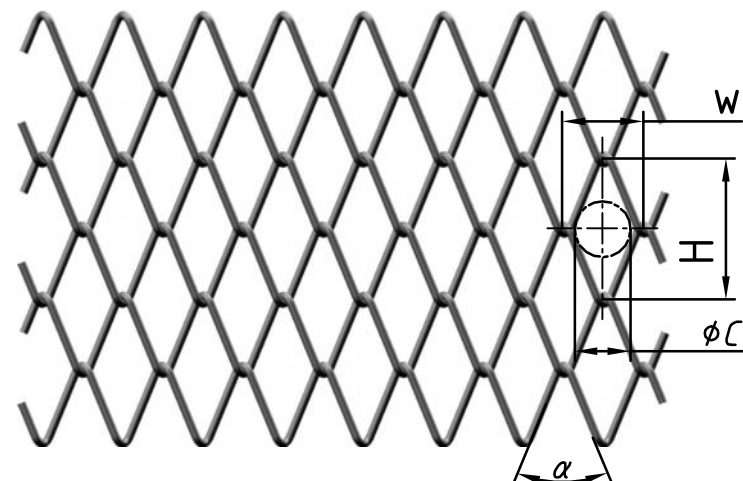
Fixation of border ropes to
flexible rope anchors



Fixation of mesh on nails

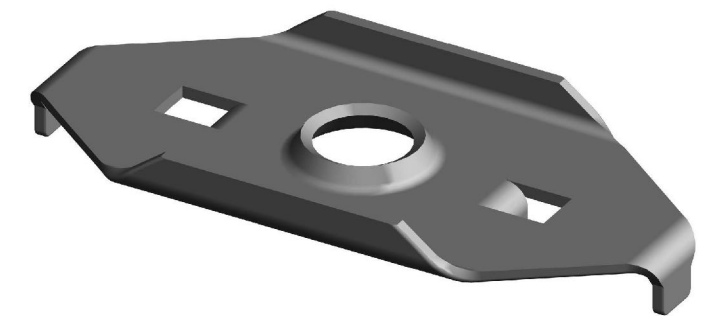


2D-GEO chainlink mesh



2D-Geo	$\phi C, \text{MM}$	W, MM	H, MM	$\alpha, ^\circ$
W40	30	40	70	63
W56	45	56	90	63
W80	63	80	130	60

Anchor plate PAP -4/45



Anchor types:

- a) Injection Bore Anchors Geozol-MP
- b) TULA bar anchor;
- c) flexible rope anchor Geobarrier

Landslide protection system 2D-Geo

2D-GEO CHAINLINK MESH TECHNICAL SPECIFICATIONS

Technical Regulation 1275-005-752-12412-15

Standard product line

Technical characteristics	W80/3	W56/3	W80/4	W56/4	W40/4
Mesh size W x H, [mm]	80x130	56x90	80x130	56x90	40x70
Incircle diameter, [mm]	62	42	62	42	28
The angle of the cell, α [degrees]	63	63	63	63	60
Thickness of net, t [mm]	15	18	19	20	20
Shape of cell	vertical rhombus				
Tensile strength of a wire, [N/mm ²]	≥ 500				
Corrosion protection	Zn ≥ 155 g/m ²				
Wire diameter [mm]	3	3	4	4	4
Weight of 1 m ² , [kg]	1,95	2,58	3,45	4,60	6,65
Tensile strength of net, [kN/m]	40	60	75	100	155
Roll width [m]	2,5				
Roll length [m]	on request				

Loads at contacts between net and special 2D-GEO anchor plate

Bearing resistance of net against puncturing with anchor plate, [kN]	56	85	100	150	200
--	----	----	-----	-----	-----

Professional product line

Technical characteristics	W80/3 PRO	W56/3 PRO	W80/4 PRO	W56/4 PRO ²	W56/4 PRO
Mesh size W x H, [mm]	80x130	56x90	80x130	56x90	56x90
Incircle diameter [mm]	62	42	62	42	42
The angle of the cell, α [degrees]	63	63	63	63	63
Thickness of net, t [mm]	15	18	19	20	20
Shape of cell	vertical rhombus				
Tensile strength of a wire, [N/mm ²]	≥ 800				
Corrosion protection	Zn ≥ 155 g/m ²				≥ 80 g/m ²
Wire diameter [mm]	3	3	4	4	4
Weight of 1 m ² , [kg]	2,0	2,6	3,5	4,9	4,9
Tensile strength of net, [kN/m]	60	96	120	155	155
Roll width [m]	2,5				
Roll length [m]	on request				

Loads at contacts between net and special 2D-GEO anchor plate

Bearing resistance of net against puncturing with anchor plate, [kN]	90	136	160	240	200
--	----	-----	-----	-----	-----

2D-GEO - IT'S PROFITABLE

Due to special design and high quality of all the elements, landslide protection system 2D-Geo allows you to increase the distance between ground anchors up to 3.5 m, thereby greatly reducing the cost of drilling, anchors and the whole project. Save up to 40% on the total cost of the project!

Select system configuration for your slope

		Slope angle, degrees				
		30	40	50	60	70
Angle of internal friction, degrees	15				X	X
	20					X
	25					X
	30					
	35					

Landslide protection system 2D-Geo can be used on slopes with angle up to 70-80 degrees depending on the physical and mechanical characteristics of soil. On slope with rocky ground 2D-GEO can be used to provide maximum rockfall protection.

Table values for soils with a specific weight 2,7 t/m³ and ground anchors with step 2,5 m.

2D-GEO W80/3
2D-GEO W56/3, W80/3 PRO
2D-GEO W80/4, W56/3 PRO
2D-GEO W56/4
2D-GEO W80/4 PRO
2D-GEO W56/4 PRO, W40/4

